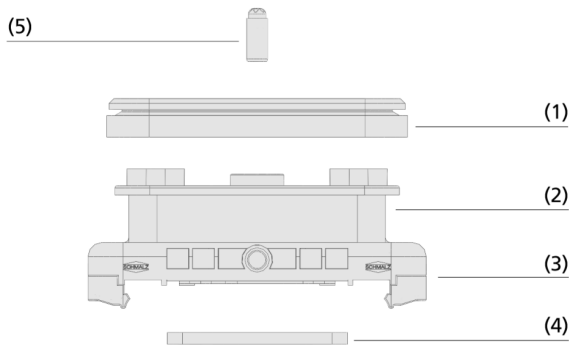


Vacuum Blocks VCBL-S4

For TVN systems from SCM · Height 50 mm



Vacuum Blocks VCBL-S4



System design Vacuum Blocks VCBL-S4



Vacuum blocks VCBL-S used with SCM consoles

Suitability for industry specific applications

Application

- Hose-free Schmalz clamping system for console tables from SCM / Morbidelli, fully compatible with original equipment
- The vacuum blocks are mechanically pre-fixed via the console
- The integrated touch valve allows unused vacuum blocks to remain on the machine table
- TVN system from SCM = S4 system from Schmalz (width of console 109 mm)

Design

- Top suction plate (1) for fixing the workpiece
- Robust main body (2) made of plastic
- Dovetail mount (3) for mechanical pre-fixation on SCM / Morbidelli consoles
- Sealing frame (4) optimized for easy sliding of the vacuum block on the console
- Touch valve (5) for activating the vacuum

Product highlights

- Highest holding forces in wood applications thanks to optimized seals and friction pads
- Highest dimensional accuracy for more precision in the production process
- Wide range of products offers maximum flexibility and enables short set-up times
- Suction plates can be replaced quickly, easily and economically without tools

Vacuum Blocks VCBL-S4

For TVN systems from SCM · Height 50 mm

Designation code Vacuum Blocks VCBL-S4

VCBL-S4	-	120x50	-	50	-	D-360	-	TV
1		2		3		4		5

1 – Abbreviated designation

Code	Type
VCBL-S4	Vacuum block, SCM / Morbidelli TVN system

2 – Suction area

Code	LxW in mm
140x130...	140x130 to 130x30
130x30	

3 – Height

Code	Height in mm
x50	50

4 – Product addition

Code	Type
D-360	Rotatable by 360°

5 – Product addition

Code	Type
TV	With touch valve




The vacuum block VCBL-S4 is delivered assembled. The product consists of:

- Top suction plate type VCSP-O - elastomer part, available in different dimensions and suction surfaces
- Main body made of plastic
- Bottom sealing frame

Available spare parts: suction plate (top), sealing frame, touch valve TV, wear part set

Available accessories: suction plate foam rubber

Ordering data Vacuum Blocks VCBL-S4

Type	140x130			125x75			120x50			130x30			
VCBL-S4	50	-	TV	10.01.12.02321			10.01.12.02322			10.01.12.02323			10.01.12.02324
VCBL-S4	50	D-360	TV	-			10.01.12.01473			10.01.12.01474			10.01.12.01475




Ordering data Spare parts Vacuum Blocks VCBL-S4

Type	Spare parts			Part no.
VCBL-S4	140x130	Suction plate (top)	VCSP-O 140x130x16.5 TPE	10.01.12.02325
VCBL-S4	125x75	Suction plate (top)	VCSP-O 125x75x16.5 TPE	10.01.12.00011
VCBL-S4	120x50	Suction plate (top)	VCSP-O 120x50x15.5 TPE	10.01.12.00012
VCBL-S4	130x30	Set of spare parts	ERS VCSP	10.01.12.01543

Type	Spare parts			Part no.
VCBL-S4	Touch Valve		TV D9 4.3	10.01.12.02514

Type	Spare parts			Part no.
VCBL-S4 140x130x50 TV	Sealing frame (bottom)		VCDR 141x77.2x5.1 VCBL-S	10.01.12.03138
VCBL-S4 125x75x50 TV	Sealing frame (bottom)		VCDR 141x77.2x5.1 VCBL-S	10.01.12.03138
VCBL-S4 125x75x50 D-360 TV	Sealing frame (bottom)		VCDR 141x77.4x3 VCBL-S	10.01.14.00235
VCBL-S4 120x50x50 TV	Sealing frame (bottom)		VCDR 141x77.2x5.1 VCBL-S	10.01.12.03138
VCBL-S4 120x50x50 D-360 TV	Set of parts subject to wear		VST VCBL-S DI-RA	10.01.12.03318
VCBL-S4 130x30x50 TV	Set of parts subject to wear		VST VCBL-S DI-RA	10.01.12.03318
VCBL-S4 130x30x50 D-360 TV	Set of parts subject to wear		VST VCBL-S DI-RA	10.01.12.03318

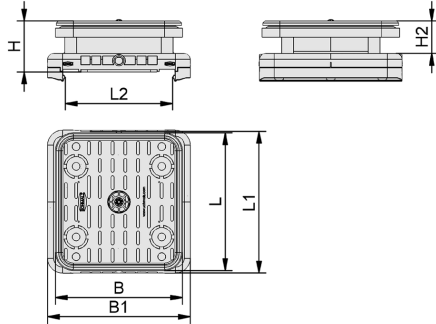
Ordering data Accessories Vacuum Blocks VCBL-S4

Type	Accessories			Part no.
VCBL-S4 140x130x50 TV	Suction plate (top)	Foam rubber suction plate	VCSP-O 140x130x18.3 MOS TPE	10.01.12.03506 
VCBL-S4 125x75x50 TV	Suction plate (top)	Foam rubber suction plate	VCSP-O 125x75x17.7 MOS TPE	10.01.12.03511 
VCBL-S4 125x75x50 D-360 TV	Suction plate (top)	Foam rubber suction plate	VCSP-O 125x75x17.7 MOS TPE	10.01.12.03511 

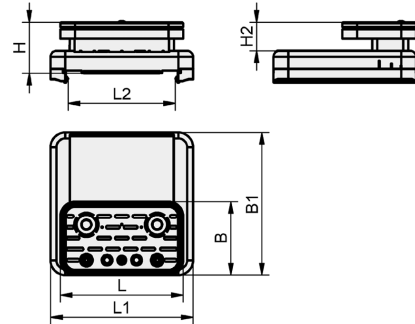
Vacuum Blocks VCBL-S4

For TVN systems from SCM · Height 50 mm

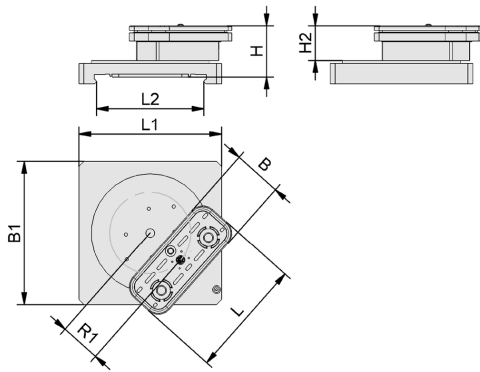
Design data Vacuum Blocks VCBL-S4



VCBL-S4 140x130



VCBL-S4 120x50 - VCBL-S4 130x30



VCBL-S4 D-360

Vacuum Blocks VCBL-S4

For TVN systems from SCM · Height 50 mm

Design data Vacuum Blocks VCBL-S4

Type	B [mm]	B1 [mm]	H [mm]	H2 [mm]	L [mm]	L1 [mm]	L2 [mm]
VCBL-S4 140x130x50 TV	130	145	50	32	140	145	109
VCBL-S4 125x75x50 TV	75	145	50	27	125	145	109
VCBL-S4 125x75x50 D-360 TV	75	145	50	34	125	145	109
VCBL-S4 120x50x50 TV	50	145	50	27	120	145	109
VCBL-S4 120x50x50 D-360 TV	50	145	50	34	120	145	109
VCBL-S4 130x30x50 TV	30	145	50	27	130	145	109
VCBL-S4 130x30x50 D-360 TV	30	145	50	34	130	145	109